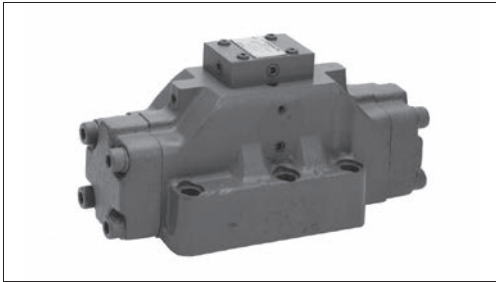


Pilot Operated Directional Control Valve



Features

- These directional control valves enable switching of the direction of flow of the fluid by operating the spool with the hydraulic pilot valve.

Nomenclature

✕ - JP - G ✕✕ - ✕✕ ✕ - ✕
1 2 3 4 5 6 7

1 Applicable fluid code

No designation: Petroleum-based hydraulic fluid, water-glycol hydraulic fluid
 F: Phosphate ester hydraulic fluid

2 Model No.

JP: J series pilot operated directional control valve

3 Connections

G: Gasket mount type

4 Nominal diameter

03: 3/8 06: 3/4 10: 1 1/4

5 Spool type (See the model table)

6 Spool operating method (See the model table)

C: Spring center type
 B: Spring offset type
 N: No-spring type

7 Design No.

(The design No. is subject to change)

10: Nominal diameter 03 (3/8)
 12: Nominal diameter 10 (1 1/4)
 13: Nominal diameter 06 (3/4)

Specifications

Model No.	Nominal diameter	Maximum operating pressure MPa {kgf/cm ² }	Maximum flow rate L/min	Pilot pressure MPa {kgf/cm ² }	Permissible back pressure MPa {kgf/cm ² }	Mass kg
JP-G03	3/8	21 {210}	*1	0.45 to 21 {4.5 to 210}	21 {210}	5.5
JP-G06	3/4					12.5
JP-G10	1 1/4					45

Note: *1 Refer to JSP-G03 on Page G-34 and JS-G** on Page G-58 for the maximum flow rate for type C and type N spool operating methods. See the table below for the maximum flow rate for the type B spool operating method.

Model code	Maximum flow rate (type B) L/min		
	Pressure MPa {kgf/cm ² }		
	7 {70}	14 {140}	21 {210}
JP-G03-✕✕B	120	120	120
JP-G06-✕✕B	230	190	150
JP-G10-✕✕B	500	450	400

Sub-plate model code

- The sub-plate is not provided with the valve. Order it separately if required by specifying the model code given in the table below.

Model No.	Nominal diameter	Connection port diameter	Mass kg
JS-06M	3/4	Rc3/4	5.2
JS-06M08		Rc1	
JS-10M	1 1/4	Rc1 1/4	17
JS-10M12		Rc1 1/2	

Note: Refer to Page S-10 for the dimensions of the sub-plate for G06 and G10. No sub-plate is provided for JP-G03.

Handling

- For the type B spool operating method, use port Y as the drain port and directly connect the drain piping to the tank without merging it with other tank piping.

Contact Details

Before using the product, please check the guide pages at the front of this catalog.

Internet

<https://www.daikinpmc.com/en/>

For latest information, PDF catalogs and operation manuals

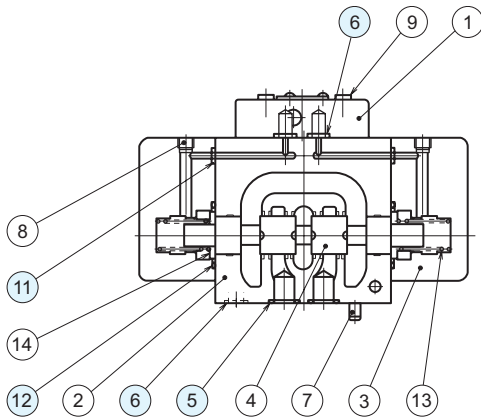
5 6: Model table

Model code	JIS graphic symbols for hydraulic system	Model code	JIS graphic symbols for hydraulic system	Model code	JIS graphic symbols for hydraulic system
JP-G***-2C		JP-G***-7C		JP-G***-2N	
JP-G***-3C		JP-G***-8C		JP-G***-3N	
JP-G***-33C		JP-G***-9C		JP-G***-33N	
JP-G***-4C		JP-G***-27C		JP-G***-4N	
JP-G***-44C		JP-G***-2B			
JP-G***-5C		JP-G***-3B			
JP-G***-6C		JP-G***-33B			
JP-G***-66C		JP-G***-4B			

Note: In the transient period of switching, all ports are blocked with spool type 6C, and all ports are open with spool type 66C.

Sectional structural diagram

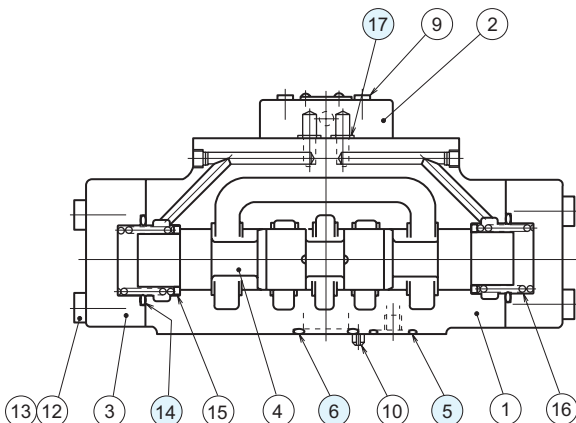
JP-G03



Sealing part table

Part No.	Name	Quantity	Part specifications
5	O-ring	5	JIS B 2401 1B P12
6	O-ring	6	JIS B 2401 1B P9
11	O-ring	4	JIS B 2401 1B P5
12	O-ring	2	AS568-123 (NBR, Hs90)

JP-G06, G10



Sealing part table

Part No.	Name	Quantity	Part specifications	
			JP-G06	JP-G10
5	O-ring	2	JIS B 2401 1B P20	JIS B 2401 1B P20
6	O-ring	4	JIS B 2401 1B P28	JIS B 2401 1B G40
14	O-ring	2	JIS B 2401 1B P40	JIS B 2401 1B G60
17	O-ring	4	JIS B 2401 1B P9	JIS B 2401 1B P9

Contact Details

Before using the product, please check the guide pages at the front of this catalog.

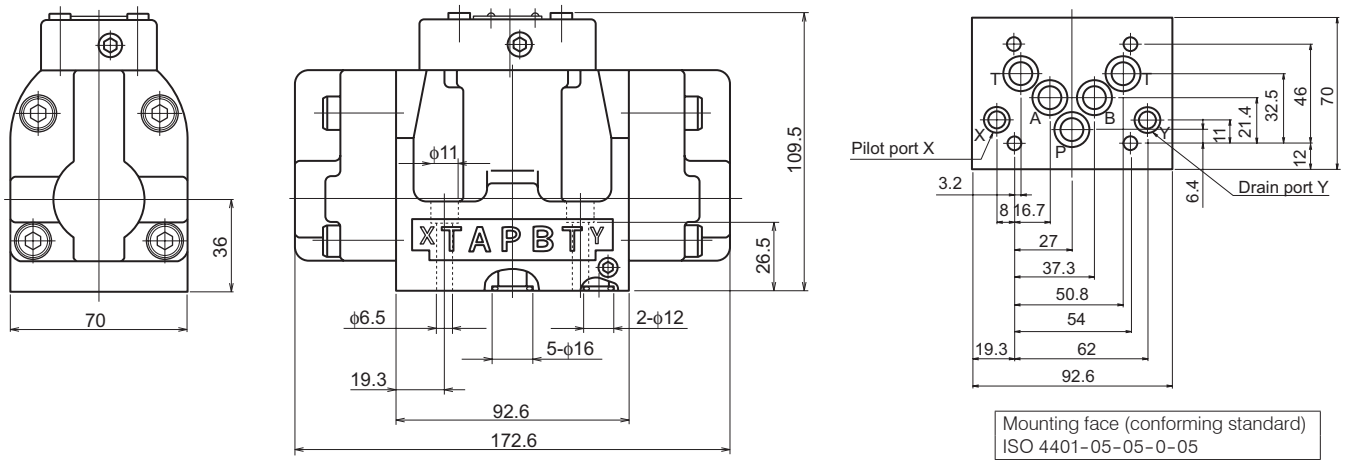
Internet

<https://www.daikinpmc.com/en/>

For latest information, PDF catalogs and operation manuals

External dimension diagram

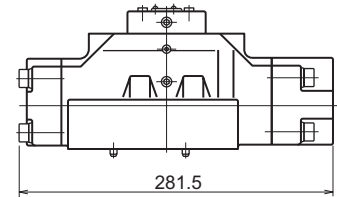
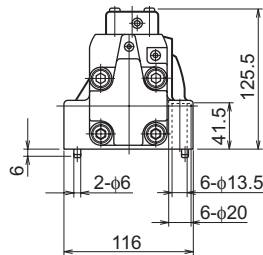
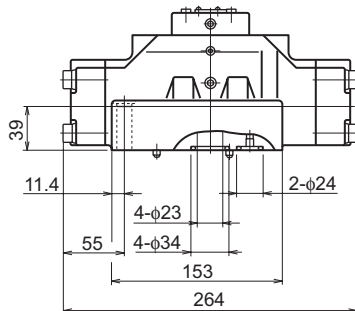
● JP-G03



● JP-G06-***C (Spring center type)

● JP-G06-***N (No-spring type)

● JP-G06-***B (Spring offset type)

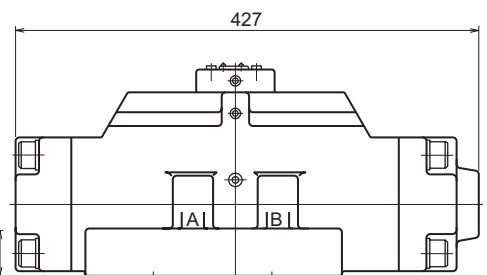
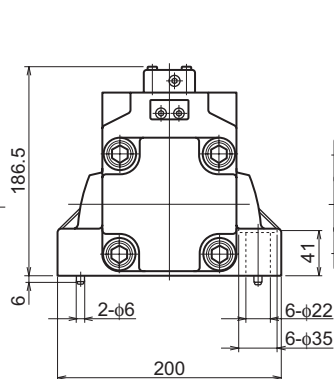
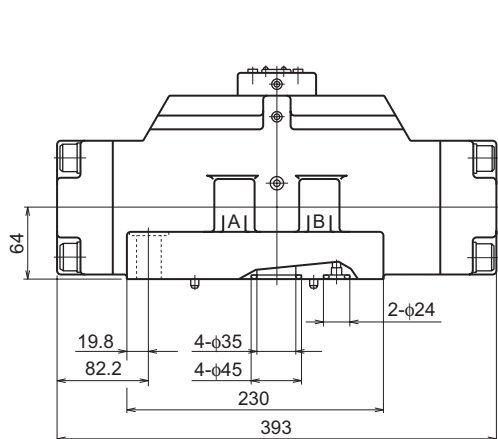


Mounting face (conforming standard)
ISO 4401-08-08-0-05

● JP-G10-***C (Spring center type)

● JP-G10-***N (No-spring type)

● JP-G10-***B (Spring offset type)



Mounting face (conforming standard)
ISO 4401-10-09-0-05